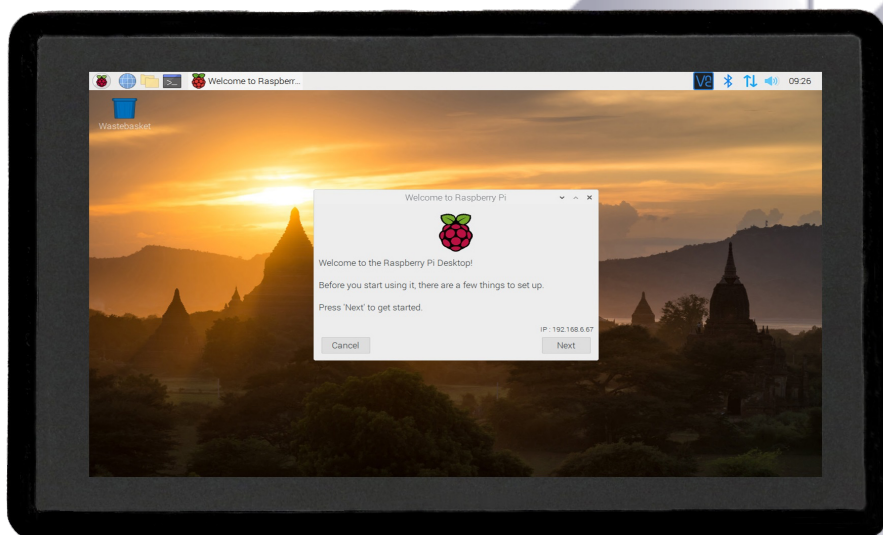




Industrial PC

# PPC-CM4-050



PN: CS12720RA4050P

Content can change at anytime, check our website for latest information of this product.

[www.chipsee.com](http://www.chipsee.com)

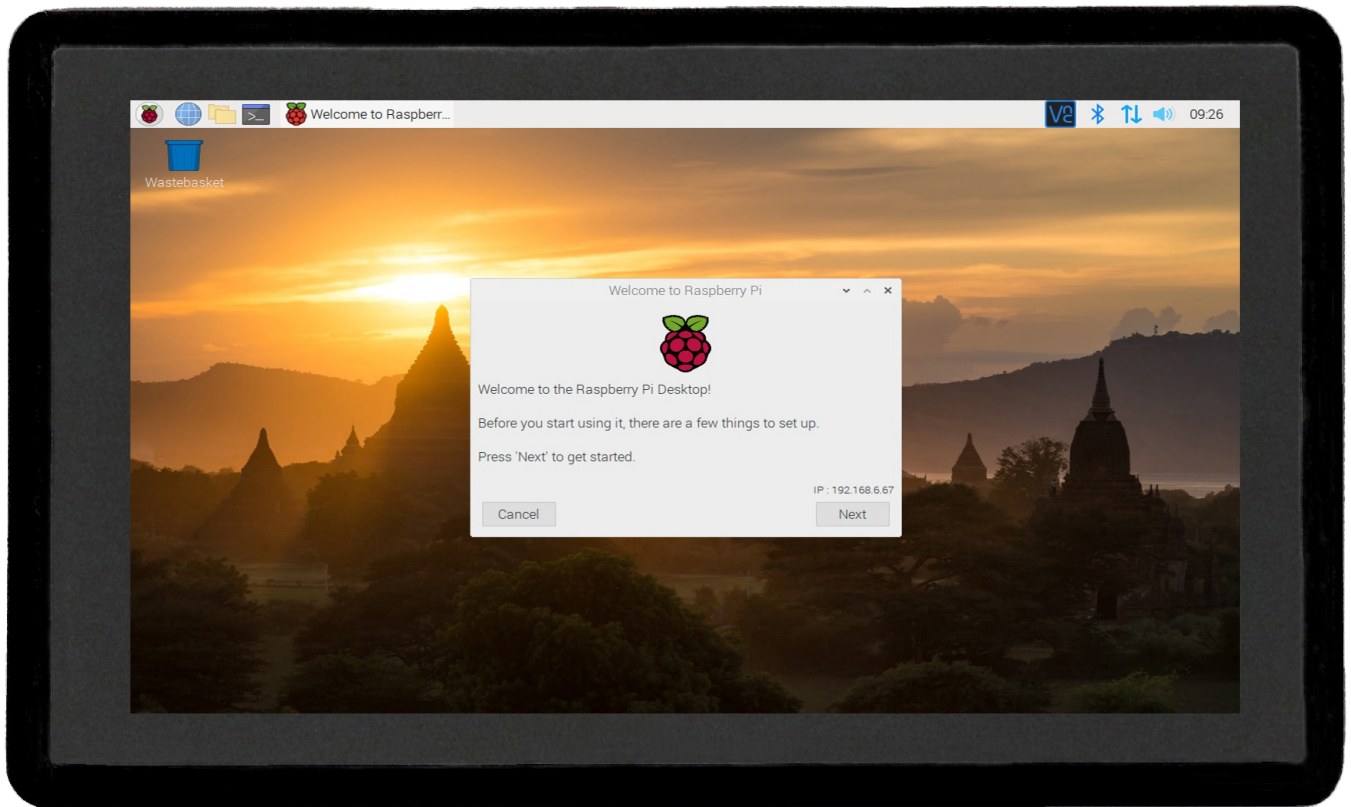
# Contents

---

PPC-CM4-050	3
1. Product Overview	7
2. Ordering Options	8
2.1. Pi <sup>®</sup> CM4 Module	8
2.2. Operating System	8
3. Specifications	9
4. Power Input	11
5. Touch Screen	12
6. Connectivity	13
6.1. RS232/RS485/CAN	13
6.2. USB Connectors	15
6.3. LAN	16
6.4. WiFi & BT Module	17
6.5. Camera Connector	18
7. TF Card Slot	20
8. Audio Connectors	21
9. HDMI Connector	22
10. PROG Button	23
11. Mounting Procedure	24
11.1. CS12720RA4050P	24
12. Mechanical Specifications	25
12.1. CS12720RA4050P	25
13. 3D Model	26
14. Disclaimer	27
15. Technical Support	27

# PPC-CM4-050

## Front View



# Rear View



# Side View 1





## Side View 2



## Product Overview

The Cortex<sup>®</sup>-A72 Raspberry Pi<sup>®</sup> series PPC-CM4-050 (PN: CS12720RA4050P) is a high-quality industrial Pi PC. It features a 5" five-point capacitive touch screen with a resolution of 1280 x 720 pixels and brightness of 400 cd/m<sup>2</sup>.

### Key Applications

- Human Machine Interface HMI
- Process Control
- Process Monitoring
- HMI
- IIoT node
- Environmental Monitoring
- PLC
- Automotive applications
- ATM...

It is available both as an embedded solution and as a device housed in a casing with bezels, thus facilitating different installation options:

- Installation on an industrial cabinet
- Integration with the existing equipment

The PPC-CM4-050 industrial Pi PC is based around the powerful Raspberry Pi<sup>®</sup> Compute Module 4, powered by the Quad Cortex<sup>®</sup>-A72 processor with a processor speed of 1.5GHz.

## Ordering Options

Chipsee products can be customized during the ordering process. The product will be shipped with the pre-installed factory defaults if no extra requirements are specified. The table in the [Specifications](#) section provides information about the default options bundled with the product.

### Note

You can order [PPC-CM4-050](#) from the official [Chipsee Store](#) or from your nearest distributor.

## Pi<sup>®</sup> CM4 Module

The Pi<sup>®</sup> Compute Module 4 appears in different versions depending on the size of the DDR4 and eMMC.

The PPC-CM4-050 industrial Pi PC does not include the CM4 Raspberry Pi<sup>®</sup> module by default. If you would like to purchase it with a CM4, you can select it at the Chipsee store during the ordering process.

## Operating System

This product comes with a pre-installed Raspberry Pi OS. Chipsee software engineers have created all the drivers, so every hardware feature is readily available for any standard development tool.

If your project requires a different OS, please [Contact us](#), and we'll make a [customized version](#) that suits your needs.



## Specifications

The PPC-CM4-050 industrial Pi PC offers a broad range of performance and connectivity options for scalable integration, providing expandability according to future needs. Some of the key features are listed in the table below.

PPC-CM4-050	
<b>CPU</b>	Raspberry Pi <sup>®</sup> CM4; Quad Cortex-A72 at 1.5GHz
<b>Storage</b>	Support for 1 x TF Card <sup>3</sup>
<b>RAM</b>	2/4/8 GB, Based on CM4
<b>eMMC</b>	16/32 GB, Based on CM4
<b>Display</b>	5" IPS LCD, 1280 x 720 resolution px, brightness 400 cd/m <sup>2</sup>
<b>Touch</b>	5-point capacitive touch with 1mm Armored Glass
<b>USB</b>	2 x USB 2.0 Host, 1 x Type-C
<b>LAN</b>	1 x Giga LAN
<b>Audio</b>	3.5mm Audio Out Connector, 2W Speaker Internal
<b>Buzzer</b>	Onboard Buzzer, driven by GPIO
<b>RTC</b>	High accuracy RTC with farad capacitor, can work 1 week after power off <b>(default)</b> . High accuracy RTC with lithium coin battery, can work 3 years after power off <i>(optional)</i> .
<b>RS232</b>	Default to 2 x RS232, up to 4 x RS232
<b>RS485</b>	Default to 2 x RS485 <sup>1</sup> , these 2 x RS485 can be configured as 2 x RS232
<b>CAN</b>	1 x CAN-BUS
<b>GPIO</b>	Not Supported
<b>I2C</b>	Not Supported
<b>WiFi/BT</b>	Supported but depending on the CM4 selected <sup>2</sup>
<b>ZIGBEE</b>	No
<b>HDMI</b>	1 x HDMI-D 2.0, can be driven upto 4Kp30
<b>SATA II</b>	Not Supported
<b>3G/4G/LTE</b>	Not Supported
<b>Camera</b>	Yes, not mounted by default. Available on the board in the embedded PC. Requires a customized case to be exposed in an enclosed PC.
<b>Power Input</b>	From 6V to 36V
<b>Current</b>	500mA Max at 12V

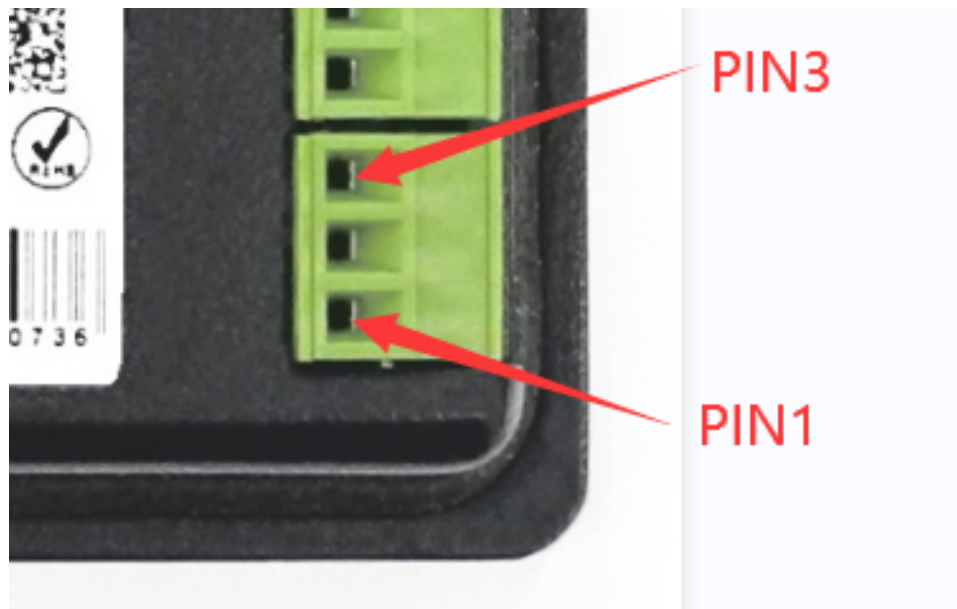
PPC-CM4-050	
<b>Power Consumption</b>	6W Typical
<b>Working Temperature</b>	From 0°C to +60°C
<b>OS</b>	Raspberry Pi OS
<b>Dimensions</b>	CS12720RA4050P: 138.55 x 84.70 x 27.10mm
<b>Weight</b>	CS12720RA4050P: 310g
<b>Mounting Method</b>	CS12720RA4050P: Panel, VESA

Table 279 Key Features

- 1 The RS485 circuit controls the Input and Output direction automatically, there's no need to control it from within the software.
- 2 The default product without the CM4 does not include a Wi-Fi/BT module. You can include a CM4 that has the Wi-Fi/BT module at the Chipsee store during the ordering process.
- 3 Chipsee designed TF card slots for storage expansion, as the TF card for storage expansion use same pins with WiFi, it can't be used with WiFi at same time

## Power Input

The PPC-CM4-050 industrial Pi PC can be powered by a wide range of input voltages: From 6V to 36V DC. It is a **3 Pin, 3.81mm screw terminal** connector. As shown in the figure below.



*Power Input*

Note that the “+” sign represents the positive power input, and it is printed both at the casing and as a silk-screen on the board of the embedded version. The “-” terminal is shorted to the ground.

Power Input Definition		
Pin Number	Definition	Description
Pin 1	Positive Input	DC Power <b>Positive Terminal</b>
Pin 2	Negative Input	DC Power <b>Negative Terminal</b>
Pin 3	Ground	<b>Power System Ground</b>

Table 280 Power Connector

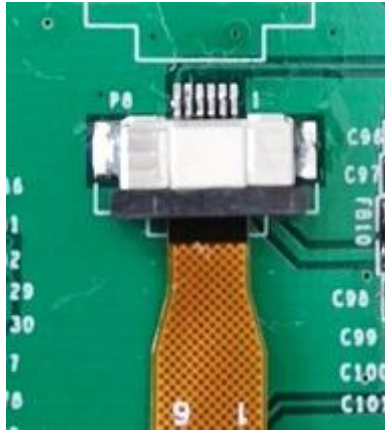
### Note

The system ground “**G**” is connected to power negative “-” on board.

## Touch Screen

The PPC-CM4-050 industrial Pi PC uses a 5-point capacitive touch with 1mm Armored Glass screen. However, the Raspberry Pi OS supports only One-Point touch.

The figure below shows the capacitive touch screen connected to the motherboard via the FPC connector.



*Capacitive Touch Connector*

### Attention

A capacitive touch screen is susceptible to power noise and Electromagnetic Radiation (EMR). It may cause LCD ripples or even capacitive touch malfunction. If using a capacitive multi-touch test application, you might notice the touch points float erratically across the display. There are several solutions to this problem:

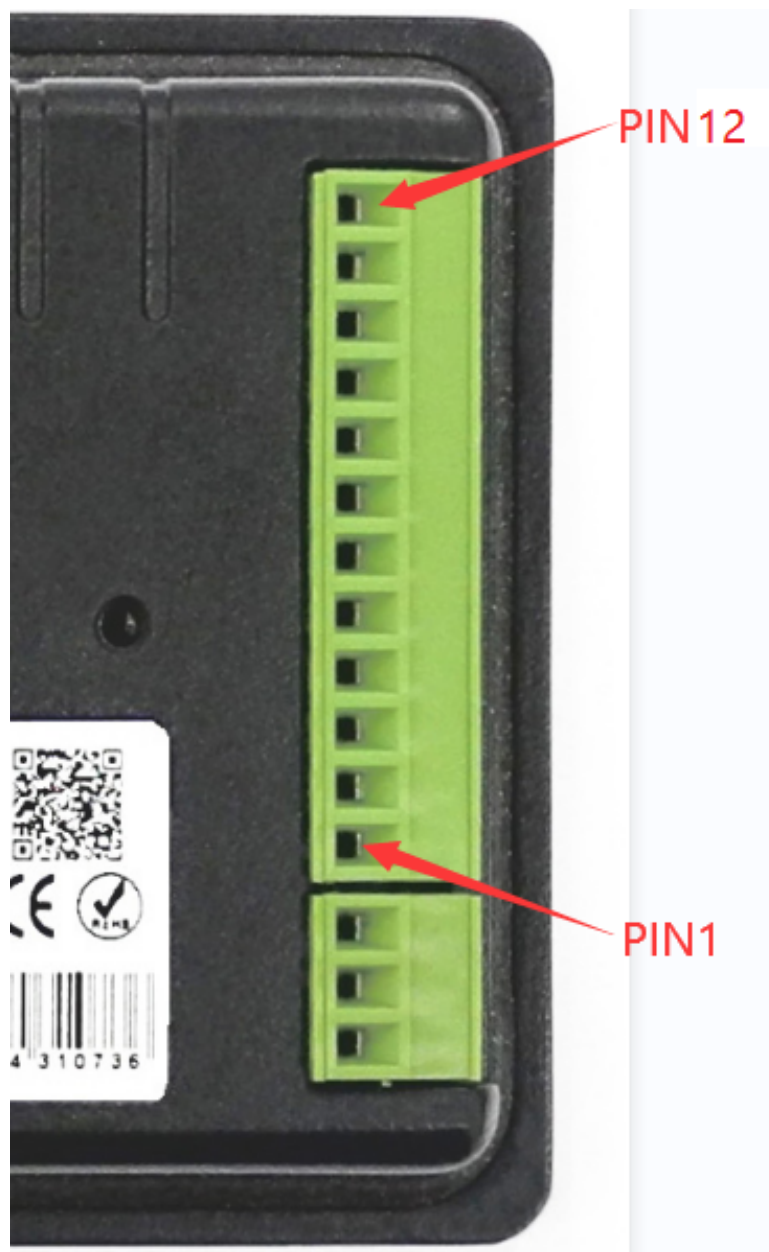
1. Use a high-quality Power Adapter Unit (PSU) with low EMR. You can also provide power from a battery.
2. Make sure that the PPC-CM4-050 Power Input connector (pin 3) is properly connected to the Power System Ground to provide sufficient EMI shielding and eliminate the problem entirely.
3. Bad GND problems can also be confirmed by touching pin 3 of the Power Input connector with one hand while operating the capacitive touch screen with the other hand. In this case, the operator's body acts as the Power System Ground.

## Connectivity

There are many connectivity options available on the PPC-CM4-050 industrial Pi PC. It has 2 x USB 2.0 Host, 1 x Type-C, 1 x Giga LAN (RJ45) Ethernet connector supporting up to 1 Gbps, and 4 x UART and 1 x CAN terminals (RS232/RS485/CAN).

### RS232/RS485/CAN

The serial communication interfaces (RS485, RS232, and CAN) are routed to a 12-pin 3.81mm terminal, as illustrated in the figure below.



*RS232-RS485-CAN on the PPC-CM4-050 Industrial PC*

 **Attention**

1. RS485\_3 and RS485\_5 can control the input and output direction automatically. There's no need to control it from within the software.
2. The 120Ω match resistor for RS485 is **already** mounted by default.
3. The 120Ω match resistor for CAN is **NOT** mounted by default. Be sure to mount the match resistor when testing CAN.
4. The 2 x RS485 can be configured to 2 x RS232, if you want a custom configuration, you can contact us when placing an order.

The table below offers more detailed description of every pin and its definition:

RS232 / RS485 / CAN Pin Definition:		
Pin Number	Definition	Description
Pin 12	CAN1_H	CAN H signal
Pin 11	CAN1_L	CAN L signal
Pin 10	RS485_4-	CPU UART5, RS485 -(B) signal
Pin 9	RS485_4+	CPU UART5, RS485 +(A) signal
Pin 8	RS485_3-	CPU UART3, RS485 -(B) signal
Pin 7	RS485_3+	CPU UART3, RS485 +(A) signal
Pin 6	RS232_0_RXD	CPU UART2, RS232 RXD signal
Pin 5	RS232_0_TXD	CPU UART2, RS232 TXD signal
Pin 4	RS232_2_RXD	CPU UART0, RS232 RXD signal, Debug Port
Pin 3	RS232_2_TXD	CPU UART0, RS232 TXD signal Debug Port
Pin 2	GND	System Ground
Pin 1	+5V	System +5V Power Output, No more than 1A Current output

Table 281 Connectivity Section

## USB Connectors

There are 2 x USB 2.0 Host, 1 x Type-C onboard, as shown in the figure below.



*USB HOST Connectors*

### Attention

1. These two USB host connectors can drive 500mA for each channel at most.
2. These two USB host connectors come from the same USB HUB.
3. When you connect this product to the HOST PC through the Type-C port, the USB HUB will be disabled. As a result, the two USB host connectors will not work.

The product has one USB Type-C OTG connector that works as a slave by default. You can use it to establish a connection with the host PC and for downloading the system to the eMMC of CM4 module.



*USB Type-C OTG Connector*

### Warning

1. Be careful not to touch surrounding electronic components accidentally while plugging in USB devices into the embedded Industrial PC version.
2. Remember to unplug the Type-C cable after flashing OS, otherwise the USB hosts won't work.



## LAN

The 1 x Giga LAN provides Ethernet connectivity over standardized Ethernet cables as shown in the figure below. The integrated Ethernet interface supports up to 1 Gbps data throughput. These Giga LAN signals come from the CM4 module directly.



*RJ45 LAN Connector*

### Note

Use CAT5 or better cables to achieve full data throughput over maximum distance defined by the 1000BASE-T standard (100m).

## WiFi & BT Module

The default PPC-CM4-050 without the CM4 does not include a Wi-Fi/BT module. If you include a CM4 that has the Wi-Fi/BT module, the product will have Wi-Fi/BT feature. The enclosed (CS12720RA4050P) variant of the product also includes an SMA connector for an external WiFi/BT antenna, as illustrated in the figure below.



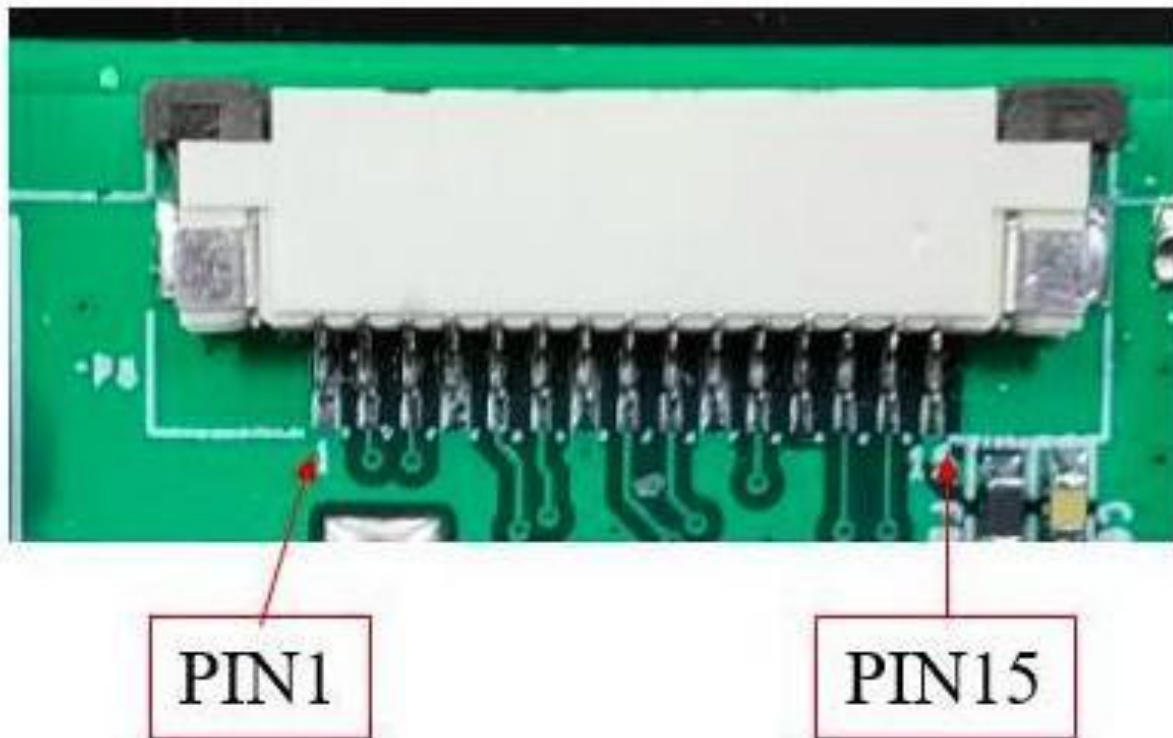
*WiFi+BT Antenna*

### Attention

The product does not come shipped with the Wi-Fi/BT module by default.

## Camera Connector

The PPC-CM4-050 industrial Pi PC has a 15 Pin **Camera Connector**, as shown in the figure below. The camera signals come from CAM1. The table below gives details about the definition of every Pin.



*Camera Connector*

Camera Connector Pin Definition:		
Pin Number	Definition	Description
Pin 1	GND	Power Ground
Pin 2	CAM1_DN0	CAM1_DN0
Pin 3	CAM1_DP0	CAM1_DP0
Pin 4	GND	Power Ground
Pin 5	CAM1_DN1	CAM1_DN1
Pin 6	CAM1_DP1	CAM1_DP1
Pin 7	GND	Power Ground
Pin 8	CAM1_CN	CAM1 Clock signal Negative
Pin 9	CAM1_CP	CAM1 Clock signal Positive
Pin 10	GND	Power Ground
Pin 11	CAM GPIO	CAM GPIO, use for disable camera power and module

Camera Connector Pin Definition:		
Pin 12	NC	Not connected
Pin 13	SCL0	CPU I2C SCL0 signal
Pin 14	SDA0	CPU I2C SDA0 signal
Pin 15	+3.3V	System +3.3V Power Output, No more than 500mA Current output

Table 282 Camera Connector Pin-out

 **Attention**

1. The camera connector is supported but not mounted by default. It's available on the PCB but not exposed on the case, please contact us when placing an order if you need to use camera on the PPC-CM4-050.

## TF Card Slot

The PPC-CM4-050 industrial Pi PC features 1 x **TF Card (micro SD) slot**. A slot can address up to 128GB of memory.



*TF (micro SD) Card Slot*

### Attention

1. The SD is used for memory extension. It can't be used for system boot-up.
2. This storage extension SD uses the same pins as WiFi on CM4, SD storage and WiFi **can't** be used at the same time.
3. The product does not come shipped with the TF card by default.

## Audio Connectors

The PPC-CM4-050 industrial Pi PC features some audio peripherals. It has 1 x **3.5mm audio output jack**.

Also, the PPC-CM4-050 industrial Pi PC has a miniature 2W internal speaker for audio reproduction, as well as a small buzzer for alarm/notification sounds.



*Audio Connector*

### Attention

By plugging in the headphone cable, the internal speaker will be disabled automatically.

## HDMI Connector

The PPC-CM4-050 industrial Pi PC supports 1 x HDMI-D 2.0 interfaces capable of driving 4K displays.



Figure 927: *HDMI Connector*



## PROG Button

The PPC-CM4-050 industrial Pi PC has one button for entering usb download mode, as shown in the figure below.

When booting **with** the button being pressed, the Raspberry Pi will boot from the USB connector. You can use this feature to download the OS software to the internal eMMC. When booting **without pressing** the button, the Raspberry Pi will boot from the internal eMMC.

There is no need to press the button during regular operation. However, if you need to reinstall the OS, please refer to the detailed information on how to reflash the OS from the [Software Documentation](#).



*PROG Button*

## Mounting Procedure

The PPC-CM4-050 industrial Pi PC can be mounted with 2 x M4 screws, enabling simplified installation onto any standard mounting fixture.

### CS12720RA4050P

You can mount CS12720RA4050P with the Vesa (75 x 75mm) and Panel mounting methods, as shown in the figure below.

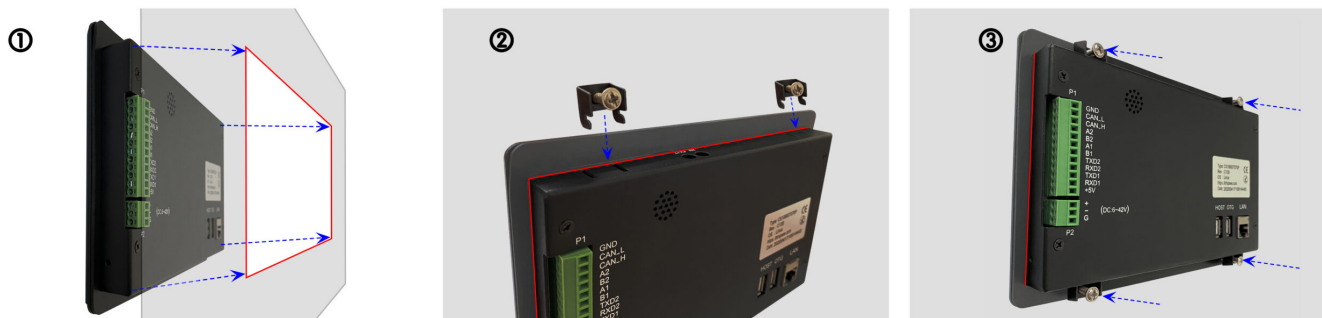


Figure 928: *Panel mounting*

#### Attention

Please make sure the display is not exposed to high pressure when mounting into an enclosure.

You can find detailed information about mounting in the [Mount IPC Guide](#).

# Mechanical Specifications

## CS12720RA4050P

For CS12720RA4050P, the outer mechanical dimensions are 138.55 x 84.70 x 27.10mm (W x L x H).

Please refer to the technical drawing in the figure below for details related to the specific product measurements.

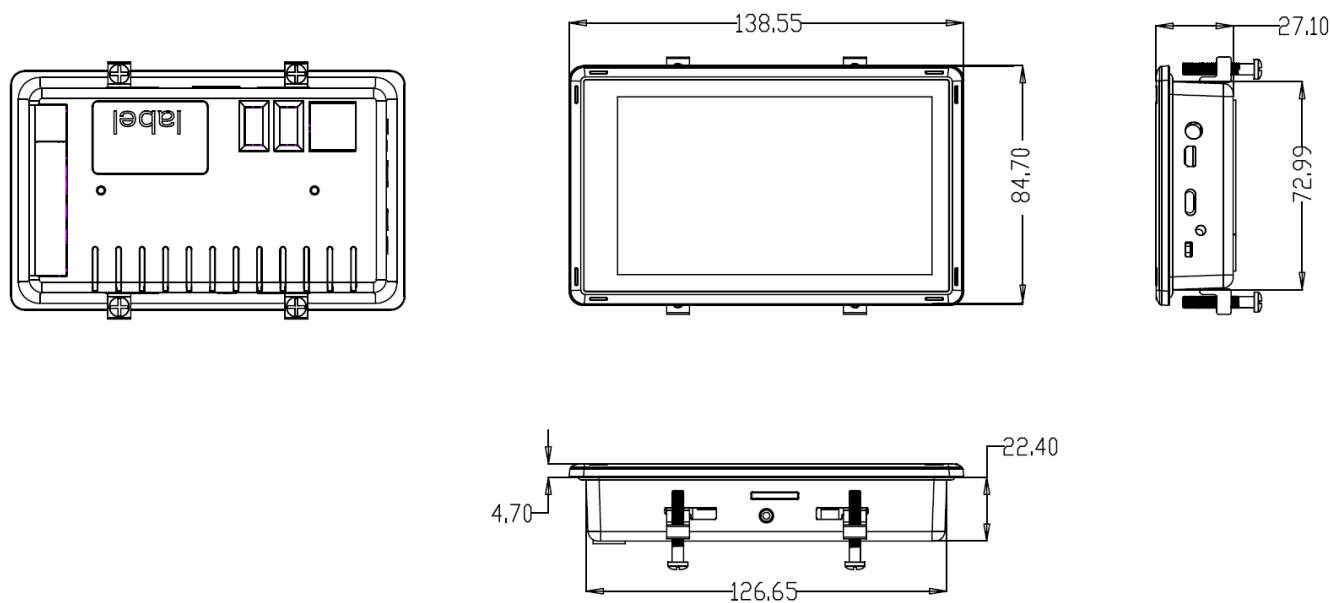


Figure 929: CS12720RA4050P *Technical Drawing*

## 3D Model

**As of Mar 23, 2024, the 3D asset of the product is being actively prepared, and will be available soon.**

PPC-CM4-050 3D model can be viewed in the online doc in a web browser, **if you are reading from the PDF** version, please visit the online doc [PPC-CM4-050](#), select hardware documentation, drag the navigation bar to the 3D Model section.

## Disclaimer

**This document is provided strictly for informational purposes. Its contents are subject to change without notice. Chipsee assumes no responsibility for any errors that may occur in this document. Furthermore, Chipsee reserves the right to alter the hardware, software, and/or specifications set forth herein at any time without prior notice and undertakes no obligation to update the information contained in this document.**

**While every effort has been made to ensure the accuracy of the information contained herein, this document is not guaranteed to be error-free. Further, it does not offer any warranties or conditions, whether expressed orally or implied in law, including implied warranties and conditions of merchantability or fitness for a particular purpose. We specifically disclaim any liability with respect to this document, and no contractual obligations are formed either directly or indirectly by this document.**

**Despite our best efforts to maintain the accuracy of the information in this document, we assume no responsibility for errors or omissions, nor for damages resulting from the use of the information herein. Please note that Chipsee products are not authorized for use as critical components in life support devices or systems.**

## Technical Support

If you encounter any difficulties or have questions related to this document, we encourage you to refer to our other documentation for potential solutions. If you cannot find the solution you're looking for, feel free to contact us. Please email Chipsee Technical Support at [support@chipsee.com](mailto:support@chipsee.com), providing all relevant information. We value your queries and suggestions and are committed to providing you with the assistance you require.